

Illustration - Type - E

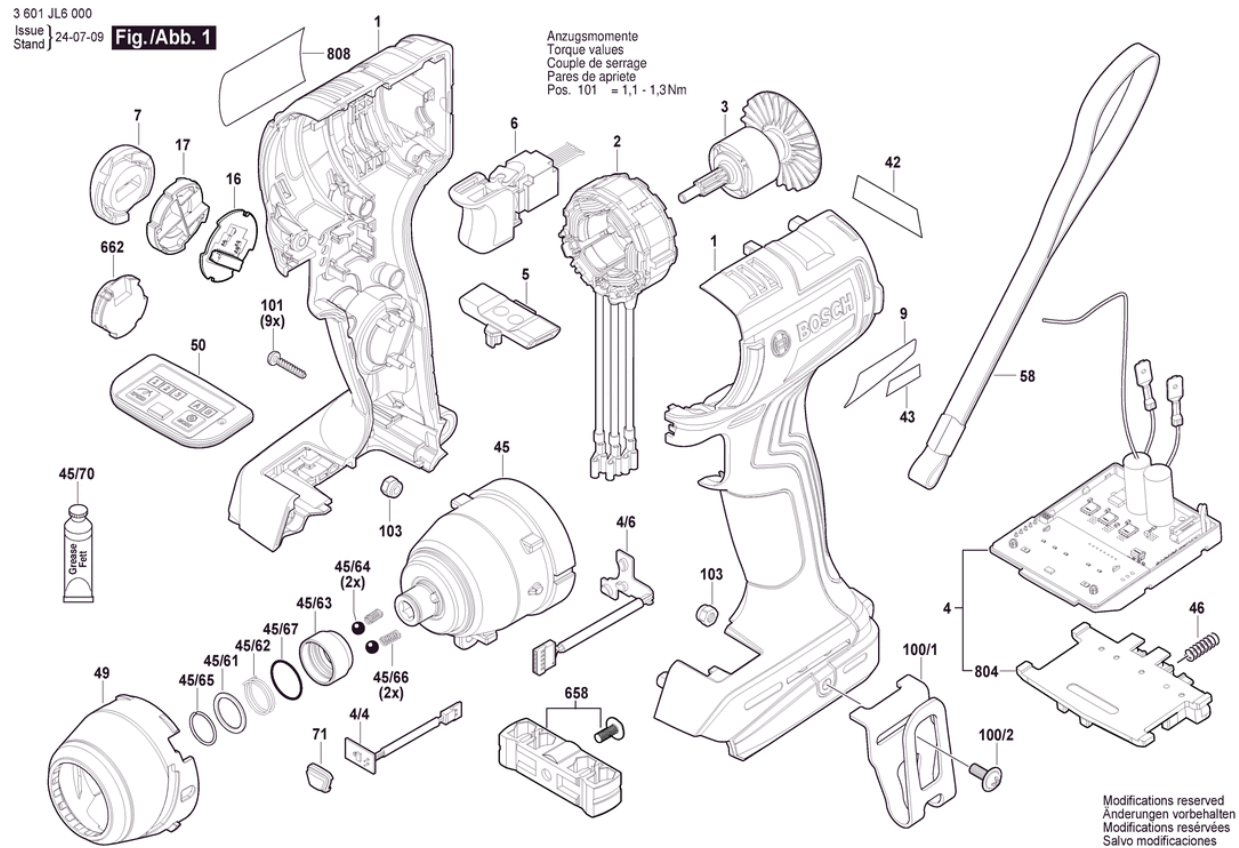
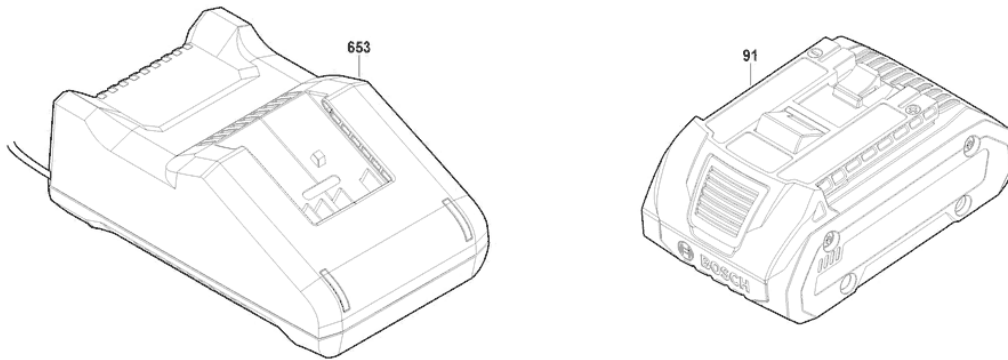


Illustration - Type - E

3 601 JL6 000
Issue | 24-04-04
Stand | **Fig./Abb. 2**



Modifications reserved
Änderungen vorbehalten
Modifications réservées
Salvo modificaciones

Spare parts list

Item	Part Number	Description	Illustration
1	1 605 806 6ET	Housing	1
2	1 619 P17 575	Stator	1
3	1 619 P17 567	Rotor	1
4	1 607 233 5RJ	Electronics Module	1
4/4	1 607 504 144	Printed-Board Assembly	1
4/6	1 607 504 147	Printed-Board Assembly	1
5	1 600 A02 HM9	Changeover Lever	1
6	2 607 202 904	Switch	1
7	1 600 A02 0BX	Cover unit	1
9	1 601 11C 5HH	Manufacturer's nameplate	1
16	1 600 A01 6CZ	Electronics Module	1
17	1 600 A02 KY7	Cover Panel	1
42	1 601 11C 441	Sticker	1
43	1 601 11C 5GT	Sticker	1
45	1 600 A02 HP1	Gear Box	1
45/61	1 600 A02 H7C	Washer	1
45/62	1 604 612 05A	Compression Spring	1
45/63	1 600 A02 H7D	Sleeve Ring	1
45/64	1 600 A02 H7A	Ball	1
45/65	1 604 601 04E	Retaining ring	1
45/66	1 604 612 059	Compression Spring	1
45/67	1 600 210 0CF	O-Ring	1
45/70	1 600 A00 2NE	Grease Tube 45 ML	1
46	1 609 280 477	Compression Spring	1
49	1 600 A02 KOY	Cover	1
50	1 600 A02 R8K	Separator	1
58	2 609 100 301	Strap	1
71	1 600 A02 R7L	Lens	1
100/1	2 609 111 584	Clip	1
100/2	2 609 110 834	Screw	1
101	2 609 110 201	Torx Flat-Head Screw 3X16	1
103	2 609 110 835	Nut	1
658	2 609 199 748	Bit holder	1
662	1 600 A01 3WF	Electronics Module	1
804	1 600 A02 3LU	Contact retainer	1

Spare parts list

Item	Part Number	Description	Illustration
808	1 601 11A B0Y	Nameplate	1
91	1 607 A35 0AN	Battery Pack	2
91	2 607 337 069	Battery Pack	2
653	2 607 226 251	Fast Charger	2
653	2 607 226 253	Fast Charger GB GAL 18V-40	2